

VISSMANN COLDROOMS AND
DEEP-FREEZING ROOMS

Cooling or freezing in ice-cold perfection!

Innovative, safe cooling or freezing is an essential component of our modern everyday life and the key to success in the catering industry, trade and industry. No matter whether meat and sausage products, dairy products, fish, bakery products, drinks or pharmaceutical products: for decades Viessmann coldrooms and deep-freezing rooms have been demonstrating their excellence worldwide as a result of their multi-functional cooling and exceptional quality characteristics.



Tecto coldrooms – hygienic,



*Tecto Standard coldroom, with **SilverProtec®** as standard*

With their high-performance functionality, Viessmann coldrooms and deep-freezing rooms are indispensable in foodstuff production, supermarkets, the retail trade, factories, transportation as well as in the catering and hotel trade. The pharmaceutical industry, hospitals, regional crime authorities, pathology, plants in the mineral oil industry or in the fabrication of synthetic raw materials would not be the same without the innovative quality products of Viessmann.

In line with the stringent requirements of trade and industry, Viessmann coldrooms and deep-freezing rooms capture the attention with their stability, their above-average hygiene characteristics and their high utilisation comfort.

Experience a reliable dimension of technological and hygienic excellence with Viessmann!

stable and economic!



Self-rising doors and the pressure release valve make opening the coldroom easy



Wall-hanging units with electronic control



Ergonomic door handle



Operator panel – functional & clearly arranged

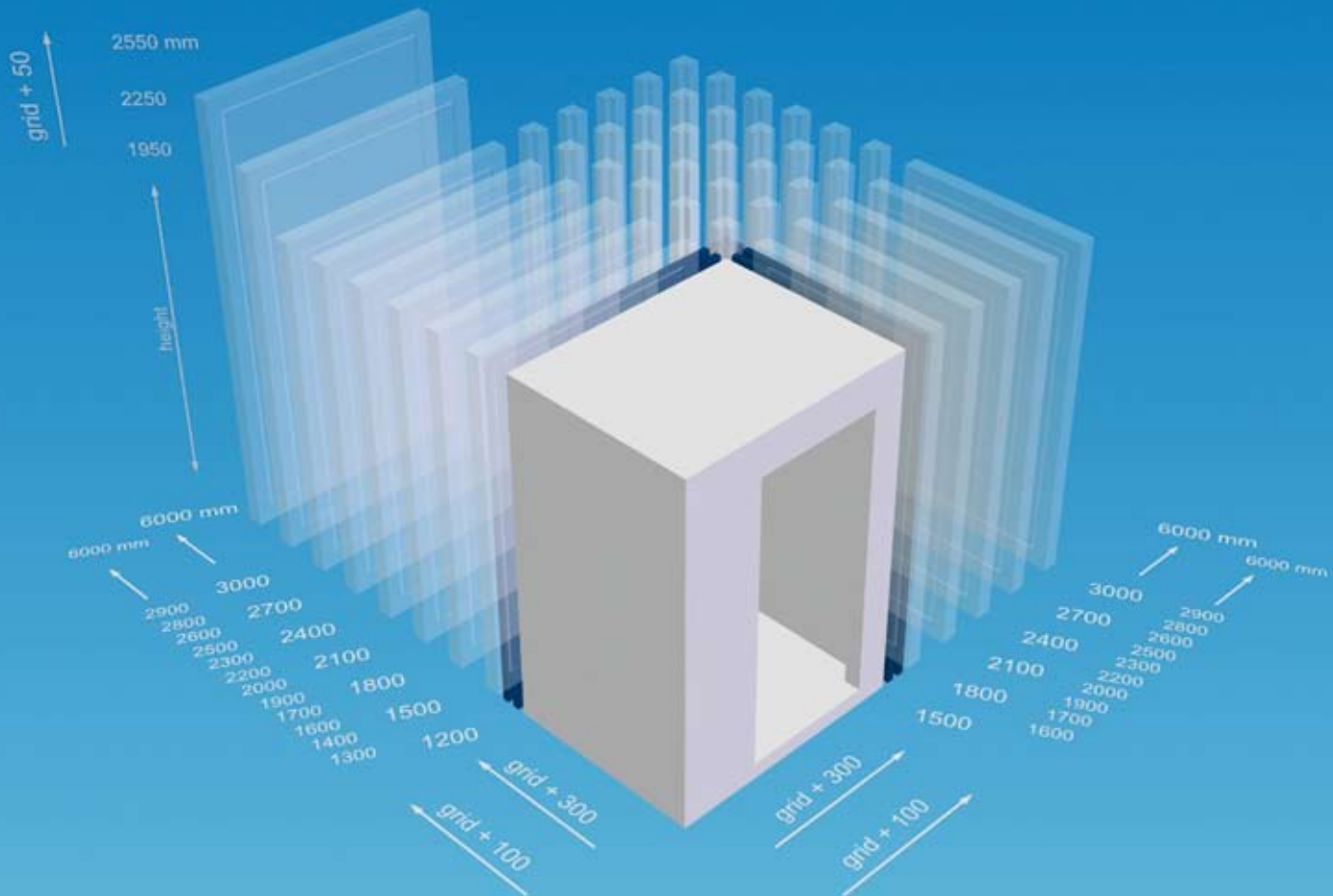


Door hinge, self-rising

At a glance

- For a temperature range from -50 °C to +60 °C
- 60 - 150 mm thick, CFC-free insulation
- Defined assembly quality and easy expandability thanks to the groove/tongue system with self-centring eccentric cam locks
- Fully hygienic wall and floor radii in the Tecto Special range
- Complete insulation and low power consumption thanks to precisely-tailored manufacture
- High durability
- Constant operational reliability
- Ecologically optimised thanks to CFC-free manufacture and recyclability
- German brand quality with outstanding workmanship
- Perfectly-balanced system technology with Viessmann refrigeration units
- Comprehensive service performance
- Flexible solutions for individual requirements

Sophisticated system



Coldrooms/deep-freezing rooms size overview						
Specification	Tecto Standard Small coldroom	Tecto Standard WL80	Tecto Standard WL100	Tecto Special 100	Tecto Standard 120	Tecto Standard 150
Standard room sizes* (width (W) x depth (D) in mm)	W 1200 - 3000 x D 1200 - 6000	W 1200 - 6000 x D 1200 - 6000	W 1200 - 6000 x D 1200 - 6000	W 1200 - 6000 x D 1200 - 6000	W 1500 - 6000 x D 1200 - 6000	W 1500 - 6000 x D 1200 - 6000
Exterior height with floor (in mm)	2150	2110	2150	2150	2490	2550
	900 x 1900	800 x 1800	800 x 1800	800 x 1800	800 x 2000	800 x 2000
Standard door dimensions (width x height in mm)	2450	2410	2450	2450	-	-
	900 x 1900	800 x 2000	800 x 2000	800 x 2000	-	-
	-	2710	2750	2750	-	-
	-	800 x 2000	800 x 2000	800 x 2000	-	-

* 300 mm and 100 mm grid, customisation and larger room dimensions on request

Strong arguments

Recommended by the experts

The Bundesverband der Lebensmittelkontrolleure Deutschlands e.V. (German Association of Food Inspectors), in its capacity as a state institution, deals in particular with the catering industry food inspection sector. Hygiene and adherence to the HACCP guidelines maintained by Viessmann are crucial factors and are regularly thoroughly inspected.

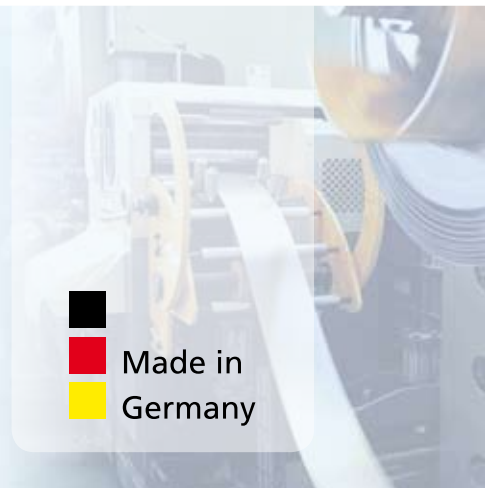
Over the course of the implementation of our antimicrobial **SilverProtec**® powder coating as the new hygiene standard for all chiller rooms, coldrooms and deep-freezing rooms, Viessmann Kältetechnik AG received a recommendation from the Bundesverband der Lebensmittelkontrolleure Deutschlands e.V.. This regular and impressive hygiene standard is currently unique within the sector and underlines the high quality and innovative standard of our company.



Made in Germany

All Viessmann products are manufactured at the Hof site production line, which was restructured and modernised in 2008. Redirecting production was a major investment, something that Viessmann Kältetechnik AG opted for with conviction in order to obtain European market leadership, to further expand the tradename and above all to obtain its valuable German location.

Thus possible outsourcing abroad is not an issue for Viessmann, thanks to highly concentrated know-how, market philosophy and long-standing tradition. From initial conception, to creation of prototypes, right up to manufacture, the great experience and extensive industry knowledge of our planners, engineers and architects has been integrated into the conversions, so that only technologically sophisticated and high-quality products leave the Hof site.



Subject to thorough inspection

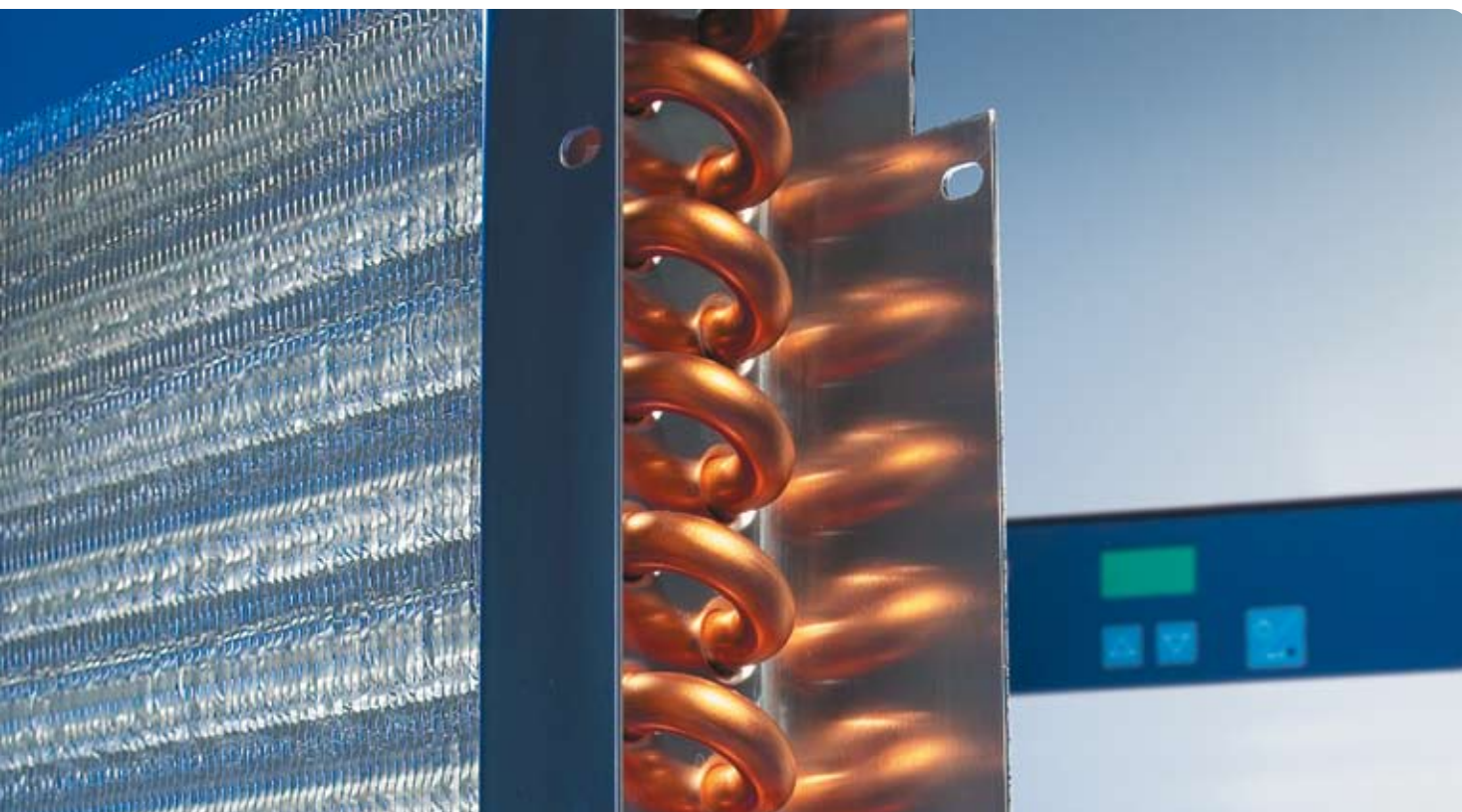
Viessmann products always meet the highest requirements. Therefore Viessmann can also provide an extensive product portfolio with regard to fire protection. Coldrooms and deep-freezing rooms are optionally available in fire protection class B1 (hardly inflammable) according to DIN 4102, Part 1, for which there are extensive test certificates.

Furthermore, Viessmann Kältetechnik AG possesses general building-authority test certificates (P-SAC 02/III-047), so that for example coldrooms, floor panels, etc. are suitable in terms of the state building regulations.

Thanks to regular, meticulous external and internal monitoring, Viessmann Kältetechnik AG is also one of two manufacturers in Germany to bear the German Mark of Conformity as a mark of quality in the building and construction sector.



Convincing performance



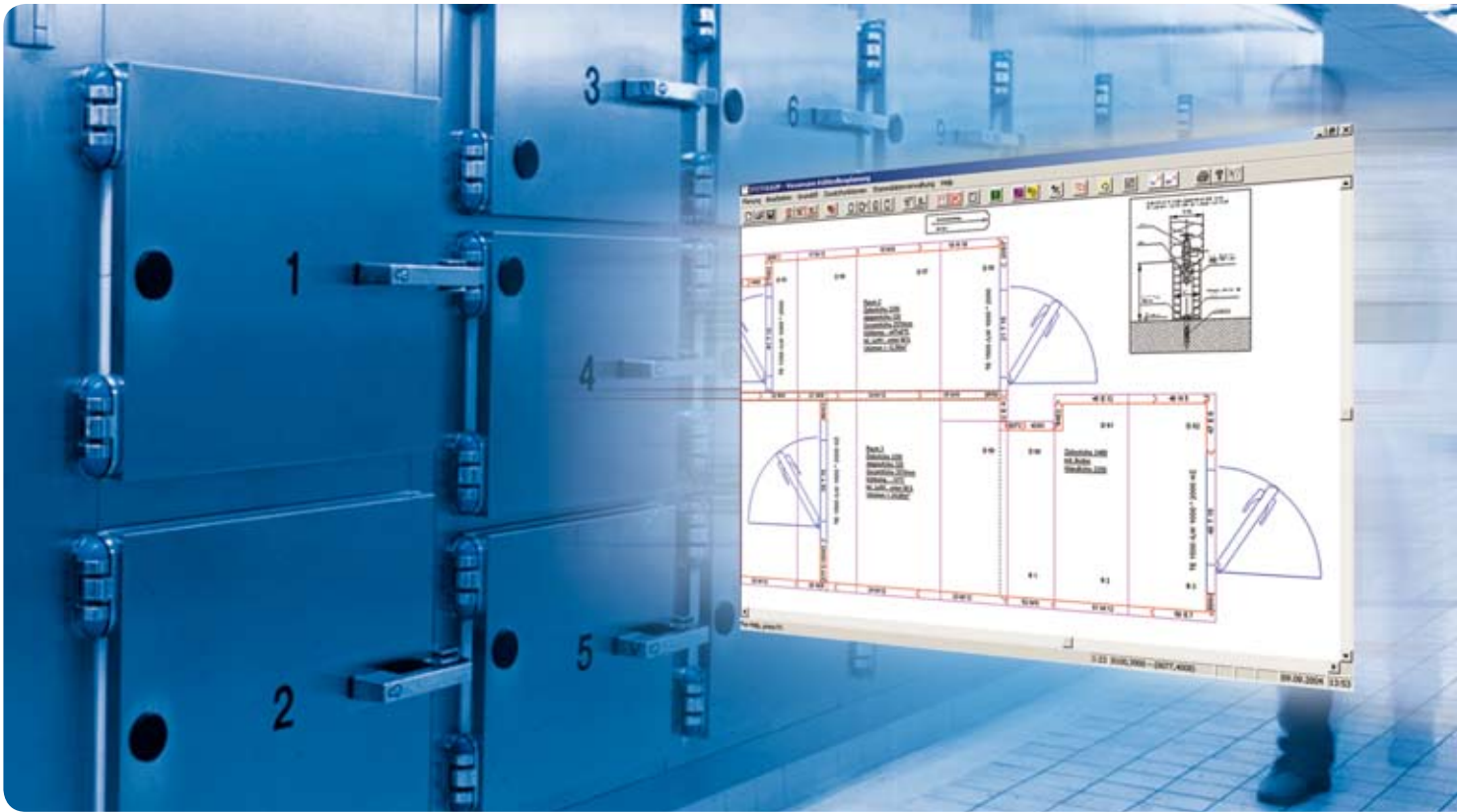
Performance overview	Tecto Standard Small coldroom	Tecto Standard WL80	Tecto Standard WL100	Tecto Special 100	Tecto Standard 120	Tecto Standard 150
Specification						
Wall thickness (in mm)	60	80	100	100	120	150
Recommended temperature difference according to VDI 2055 (ΔT in Kelvin)	30 K	38 K	45 K	45 K	56 K	70 K
Temperature range	+3 °C to +19 °C	-20 °C to +60 °C	-25 °C to +60 °C	-25 °C to +60 °C	-30 °C to +60 °C	-50 °C to +60 °C
U-Value (W/m ² K) in accordance with DIN 52612	0,34	0,25	0,20	0,20*	0,17	0,14

Equipment overview	Tecto Standard Small coldroom	Tecto Standard WL80	Tecto Standard WL100	Tecto Special 100	Tecto Standard 120	Tecto Standard 150
Specification						
Tecto wall overlapping	-	■	■	■	-	-
Tecto floor overlapping	■	■	■	■	■	■
Floor/wall radius	-	-	-	■	-	-
Light switch with control lamp	□	■	■	■	■	■
Thermometer	□	■	■	■	■	■
Pressure release valve	□	■	■	■	■	■
Door frame heating and heated pressure release valve	-	□	■	■	■	■
Magnetic sealing frame	■	■	■	■	■	■
Oval lamp for humid rooms 60 Watt	□	-	-	-	-	-
Oval lamp for humid rooms 100 Watt	-	■	■	■	■	■
Floor 100 kp KE11	■	■	■	■	■	■
Other floor versions acc. to product overview	-	□	□	□	□	□
Threshold flush with the floor	■	■	■	■	■	■
Building material classification B1 (DIN 4102/Part 1) with general building-authority test certificate	-	□	□	□	□	□

* does not apply to floor panels

■ included □ optionally included - not included

Maximum individuality



Perfection right from the start - the Viessmann coldroom planning software for refrigeration technology users



Viessmann supply and assembly service

Coldroom design, assembly and service

The use of cyclopentane-foamed polyurethane leads to dimensionally accurate manufacture of the panels and ensures problem-free room construction by means of a tongue/groove system. When selecting the installation site, it is recommended that you find areas with a sufficient ventilation system, in order to reduce the running time of the refrigeration unit, to save energy consumption costs and to prevent damage to the material. The accumulating heat from the refrigeration unit is thus better discharged, and this prevents heating up of the installation space. It is also possible to install Viessmann coldrooms and deep-freezing rooms outside. To do this it must be ensured, via measures taken on-site by the customer (self-supporting roofing and side walls), that the room is not exposed to any atmospheric influences (snow loads, rainwater, wind pressure etc.). These measures must be completed before assembly.

Anyone familiar with Viessmann knows: We demand more from ourselves – and from our customer service! We can advise you on selecting and planning your coldroom, using our refrigeration technology specialists and a nationwide network of competent specialist refrigeration companies at a place near you, the customer. Our service is known for its individual advice, its non-bureaucratic mode of communication and a reliable technical customer service, whereby your room panels can be delivered by the Viessmann Transport Team and can then be expertly constructed by the Viessmann Assembly Team.

We also have national and international representative offices, where there is always a professionally competent partner on hand to offer advice and help for any questions that you may have.

Optional equipment

The Viessmann door product range for coldrooms



Single-leaf coldroom revolving doors

With more than 1,000 different variants, we can offer you a wide range of doors for coldrooms and deep-freezing rooms. Our doors are of high quality, with powder-coated steel sheet or optionally available in various stainless steel variants with complete PUR insulation and finished without wood inserts in door leaf and frame.



Revolving doors



Sliding doors



Glass doors



Hatches

Coldroom surfaces

Antimicrobial as standard



RAL 9016

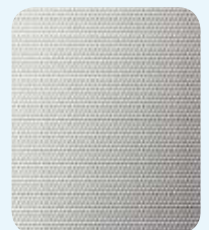


The surface layers of our sandwich panels consist of hot-galvanised steel sheet, which is also supplied with the high-quality Viessmann standard white powder coating (similar to RAL 9016). In addition, our high-quality powder coating is now equipped as standard with the antimicrobial **SilverProtect**® agent.

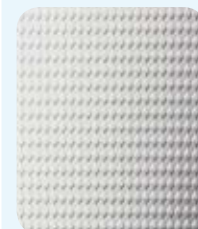
Stainless steel surface variants



Grain-polished



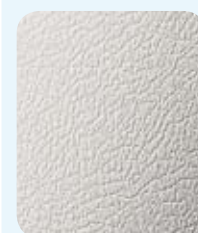
Linen structure



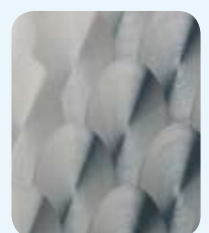
Rhombic structure



Wave structure



Leather structure



Circle-matted

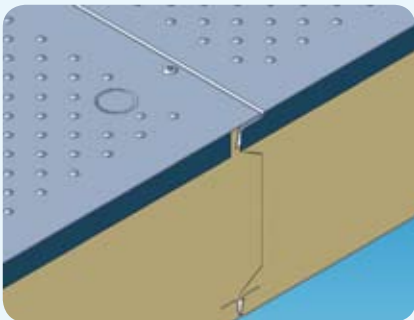
Room floors

Non-slip and hygienic

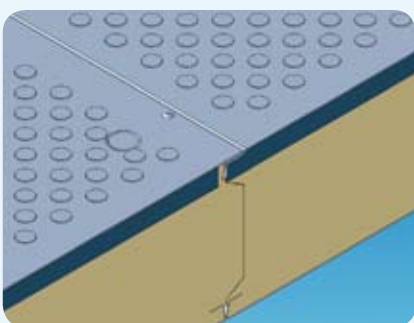
Thanks to the patented design of Viessmann floors made from stainless steel 1.4301 (stainless steel 1.4571 optional), our cold-rooms and deep-freezing rooms fulfil the highest hygiene standard requirements.

The heat-insulated Viessmann KE11 stainless steel floor offers a decisive plus for safety with its specific cone pressing with multidirectional anti-slip (certified) and the admissible wheel load of 100 kp!

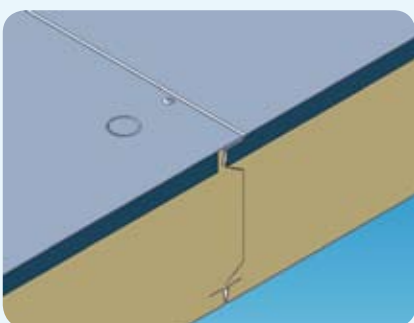
Stainless steel floor variants



Stainless steel floor, cone-pressed



Stainless steel floor, circle-pressed



Stainless steel floor, unpressed

Shelving systems for clearly-arranged storage



Well thought-out to the smallest detail: The renowned Viessmann quality is not only met in the development of modern refrigeration technology, but also in the accurate design of functional shelving systems.

The particularly robust shelving systems Rega Stabio, Rega Almo and Rega Ferro are impressive due to their strong load-bearing capacity and their durability, even when put through the stresses and strains associated with hectic day-to-day business. The smooth surfaces can be cleaned quickly and easily.

Depending on requirement and choice of material (stainless steel, aluminium or galvanised steel), all three types of shelving are also available in the form of a compact, flexible sliding shelf system. Thus storage capacities are increased immensely and free surface area is put to the most efficient use.

You will find more detailed information on this under the heading "Shelving systems" on pages 54 to 61.



*Stainless steel shelving system
Rega Stabio Standard 5/25*



*Aluminium shelving system
Rega Almo Standard 20/12*

www.vkag.de